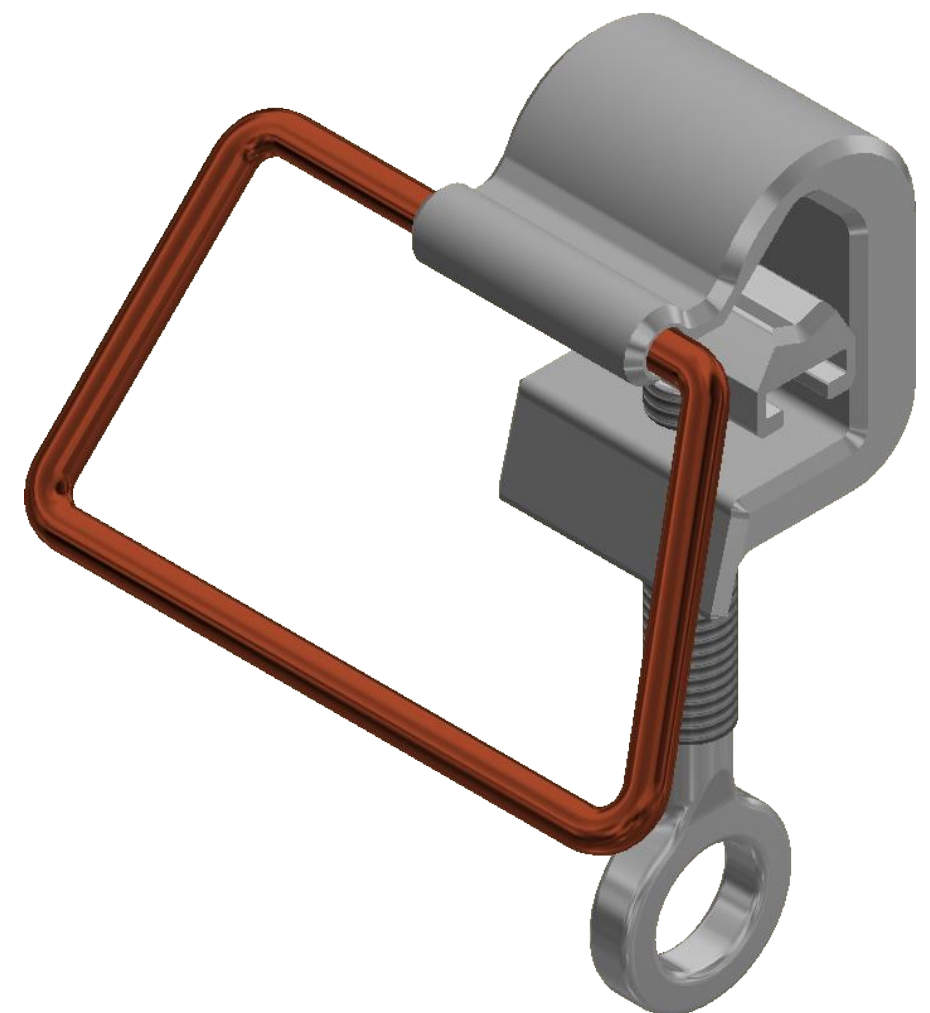
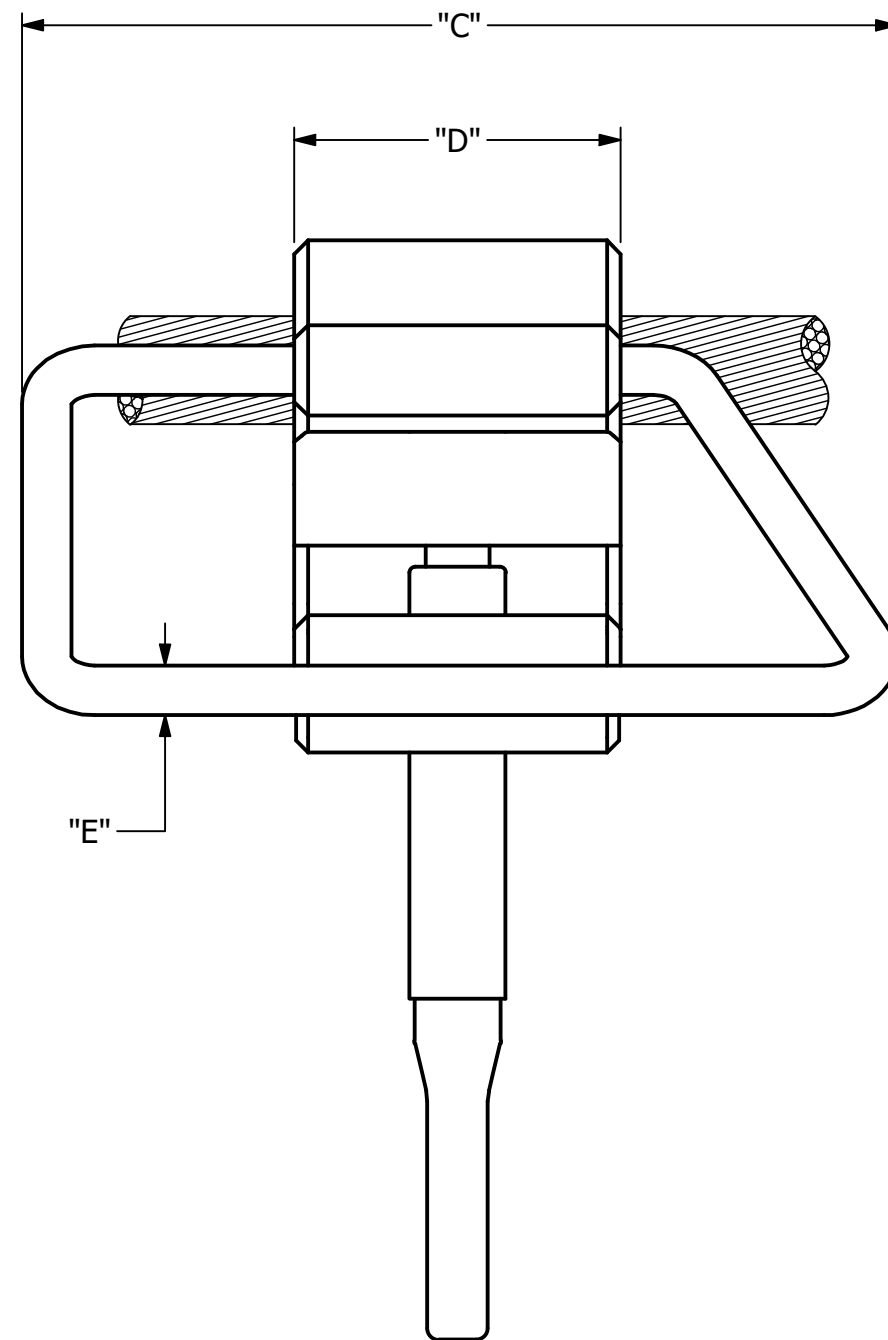
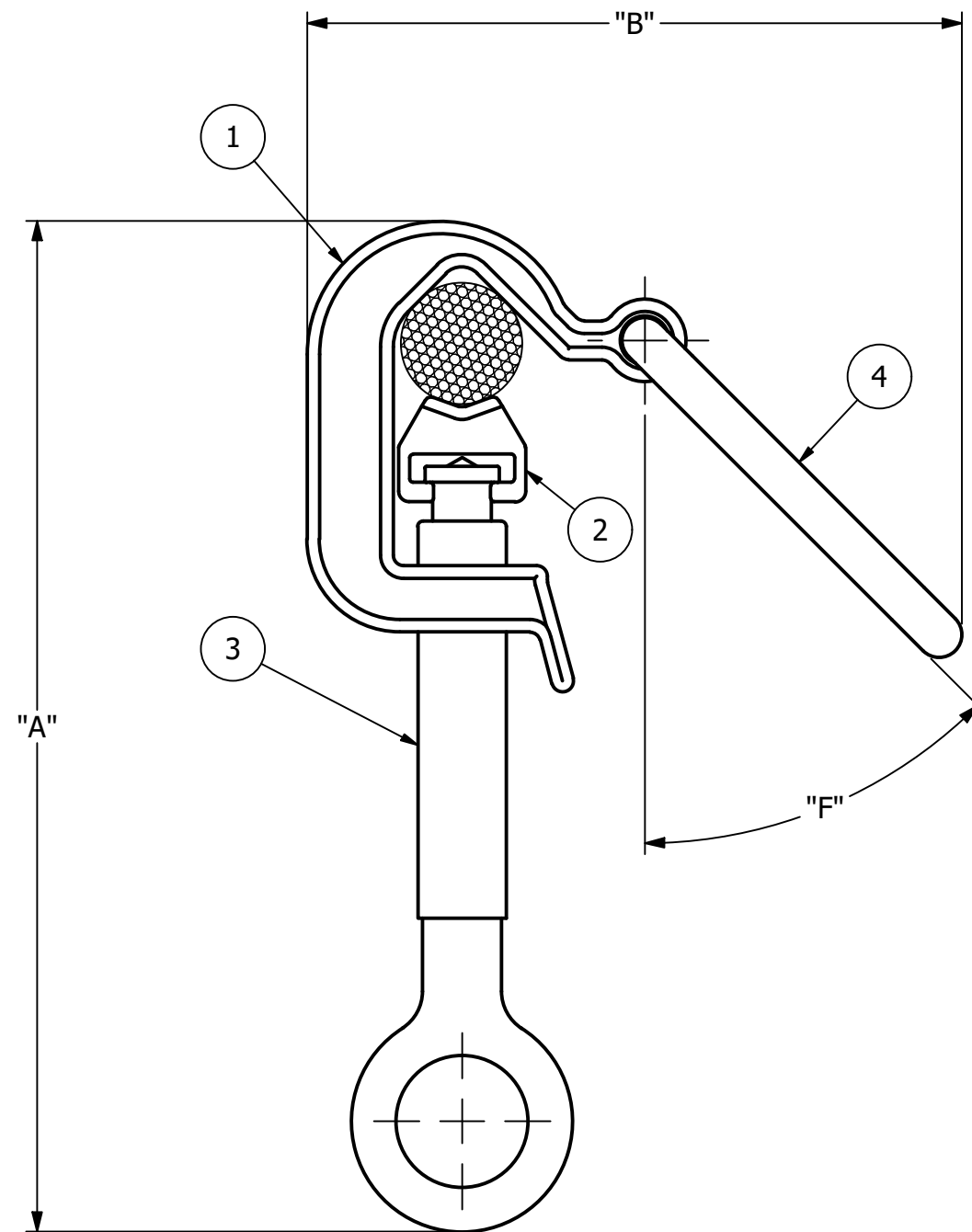


| CATALOG NUMBER | CONDUCTOR RANGE (MIN. - MAX.) | ACSR CONDUCTOR (MIN. - MAX.) | DIM A | DIM B | DIM C | DIM D | DIM E | DIM F | APPROX. WT. EACH LB. [KG] | STANDARD PACK |
|----------------|---------------------------------|------------------------------|-------------------|-------------------|-------------------|------------------|----------------|-------|---------------------------|---------------|
| GH282AL | .250 - .563 [6.40 - 14.30] | 4 - 4/0 | 5.250 [133.35] | 3.500 [88.90] | 4.500 [114.30] | 1.750 [44.45] | .250 [6.35] | 45° | .640 [.29] | 25 |
| GH284AL | .398 - .806 [10.10 - 20.50] | 1/0 - 397.5 MCM | 6.000 [152.40] | 4.000 [101.60] | 5.500 [139.70] | 2.438 [61.93] | .375 [9.53] | 45° | 1.160 [.53] | 25 |
| GH286AL | .563 - 1.081 [14.30 - 27.40] | 4/0 - 795 MCM | 6.500 [165.10] | 4.375 [111.13] | 5.500 [139.70] | 2.438 [61.93] | .375 [9.53] | 45° | 1.320 [.60] | 25 |

| ITEM | DESCRIPTION | MATERIAL |
|------|-------------|-----------------|
| 1 | BODY | ALUMINUM |
| 2 | PAD | ALUMINUM |
| 3 | EYESTEM | STAINLESS STEEL |
| 4 | STIRRUP | COPPER |



- NOTES:
- ALL DIMENSIONS FOR REFERENCE ONLY. DISTANCE IN. [MM], FORCE LBS. [kN], TORQUE IN. LBS. [N.m], & WEIGHT LBS. [KG]
 - RATINGS:
 - A. RECOMMENDED TORQUE: EYESTEM - 200 IN.LBS [22.6]
 - CERTIFICATIONS, SPECIFICATIONS, & STANDARDS:
 - A. ANSI C119.4
 - SUFFIXES & VARIANT CONFIGURATION:
 - A SUFFIX IS ADDED TO THE CATALOG NUMBER TO DESIGNATE THE REQUIRED FITTINGS AS SHOWN IN THE TABULATION (EXAMPLE: GH282ALP):
 - "L" - FACTORY INHIBITED AND BAGGED
 - "P" - TIN PLATED BAIL

| | | | | |
|--------------------------|----------|------------|------------|-------------|
| 210423007506 | 04/23/21 | MK | SI | SD |
| EC # | DATE | CHANGED BY | CHECKED BY | APPROVED BY |
| DESCRIPTION: | | | | WEIGHT, LBS |
| EYESTEM MATERIAL UPDATED | | | | SEE TABLE |
| SUFFIX NOTES UPDATED | | | | |
| DRAWING TEMPLATE UPDATED | | | | |
| -- | | | | |
| -- | | | | |
| ADDITIONAL COMMENTS: -- | | | | |

THIRD ANGLE PROJECTION

CONFIDENTIAL: THIS DRAWING AND ITS CONTENTS ARE CONFIDENTIAL AND THE EXCLUSIVE PROPERTY OF HUBBELL POWER SYSTEMS. NO PUBLICATION, DISTRIBUTION OR COPIES MAY BE MADE WITHOUT THE WRITTEN CONSENT OF HUBBELL POWER SYSTEMS. HUBBELL POWER SYSTEMS UNPUBLISHED ALL RIGHTS RESERVED UNDER THE COPYRIGHT LAWS

HUBBELL POWER SYSTEMS, Inc.

TITLE: **CONNECTOR, HOT LINE AL STIRRUP, TYPE GH28XX**

CATALOG NUMBER: **SEE TABLE**

| | | | |
|------|----------|-----------------|-----|
| SIZE | DWG NO. | PART / ASSY NO. | REV |
| C | CC-25764 | SEE TABLE | 01 |

SCALE: 1 : 1 DRN BY: SD DATE: 10/23/18 SHEET 1 OF 1